

# Diesel Pile Hammer



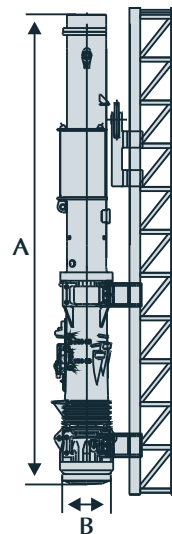
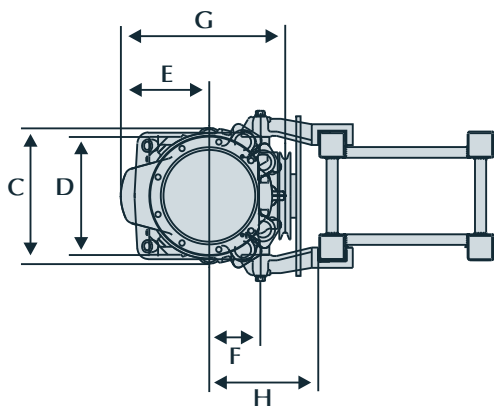
## Technical Data



Metric Units - US Units

Technical data		D6-32	D8-22	D12-42	D16-32	D19-42
Impact weight (piston)	kg	600	800	1280	1600	1820
Energy per blow	kNm	19-9	27-13	46-20	54-25	66-29
Number of blows	min <sup>-1</sup>	38-52	36-52	35-52	36-52	35-52
Suitable for driving piles (depending on soil and pile)	kg	300-2000	500-3000	800-5000	1000-6000	1100-6000
<b>Consumption</b>						
Diesel oil	l/h	3,7	4	4,5	5	7,5
Lubricant	l/h	0,25	0,5	0,5	0,5	0,5
<b>Tank capacity</b>						
Diesel oil tank	l	19	20	25	32	32
Lube tank	l	5	6	6,5	9	9
Max. rope diameter for deflector sheave of tripping device	mm	20	20	20	20	20
<b>Weight</b>						
Tripping device	kg	114	114	114	114	114
Diesel pile hammer	kg	1620	1935	2735	3620	3840
Max. inclined pile driving without / with extension		1:3 / -	1:2 / -	1:5 / 1:1	1:5 / 1:1	1:5 / 1:1

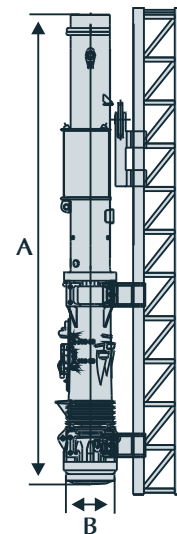
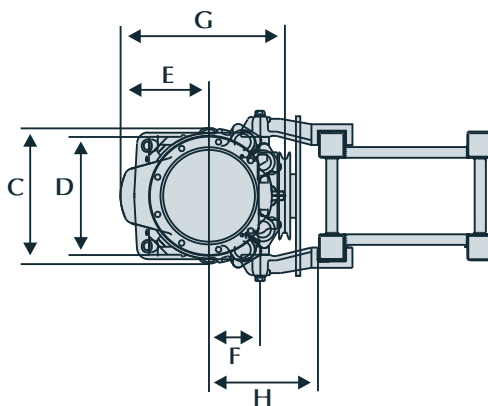
Dimensions							
A	Length of Diesel pile hammer without extension	mm	4300	4700	4770	5160	5160
B	Outer diameter of impact block	mm	350	350	400	440	440
C	Width of Diesel pile hammer	mm	465	410	440	480	480
D	Width for connection of guide jaws	mm	320	320	320	320	320
E	Center of hammer to pump guard	mm	310	315	335	345	345
F	Center of hammer to center of threads for guide jaw bolts	mm	245	245	245	280	280
G	Depth of Diesel pile hammer	mm	590	590	610	700	700
H	Standard distance from center of Diesel pile hammer up to the face of lead	mm	320	320	340	355	360



Technical data		D6-32	D8-22	D12-42	D16-32	D19-42
Impact weight (piston)	lbs	1320	1765	2820	3530	4010
Energy per blow, max.	ft-lbs	14015	19915	33930	39830	48680
Energy per blow, min.	ft-lbs	6640	9590	14750	18440	21390
Number of blows	min <sup>-1</sup>	38-52	36-52	35-52	36-52	35-52
Suitable for driving piles (depending on soil and pile)	lbs	660-4400	1100-6600	1760-11000	2200-13200	2420-13200
<b>Consumption</b>						
Diesel oil	gal/h	0,81	0,88	1	1,1	1,65
Lubricant	gal/h	0,05	0,11	0,11	0,11	0,11
<b>Tank capacity</b>						
Diesel oil tank	gal	5	5,3	6,6	8,45	8,45
Lube tank	gal	1,3	1,58	1,7	2,4	2,4
Max. rope diameter for deflector sheave of tripping device						
	in	0,78	0,78	0,78	0,78	0,78
<b>Weight</b>						
Tripping device	lbs	250	250	250	250	250
Diesel pile hammer	lbs	3570	4265	6030	7980	8465
Max. inclined pile driving without / with extension						
		1:3 / -	1:2 / -	1:5 / 1:1	1:5 / 1:1	1:5 / 1:1

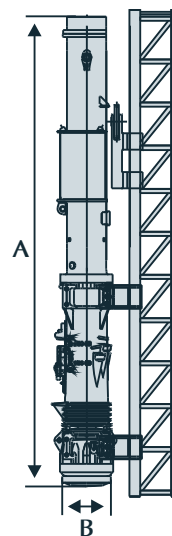
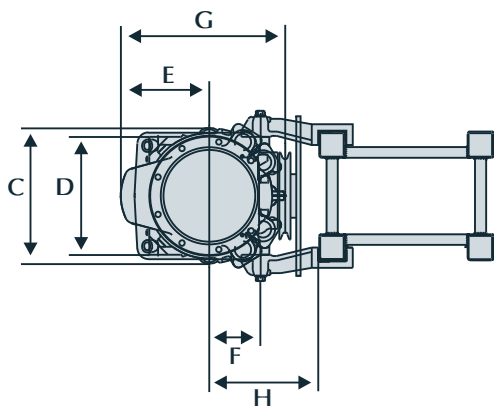
### Dimensions

A	Length of Diesel pile hammer without extension	in	170	185	188	203	203
B	Outer diameter of impact block	in	13,8	13,8	15,8	17,3	17,3
C	Width of Diesel pile hammer	in	18,3	16,15	17,3	18,9	18,9
D	Width for connection of guide jaws	in	12,6	12,6	12,6	12,6	12,6
E	Center of hammer to pump guard	in	12,2	12,4	13,2	13,6	13,6
F	Center of hammer to center of threads for guide jaw bolts	in	9,7	9,7	9,7	11	11
G	Depth of Diesel pile hammer	in	23,25	23,25	24	27,5	27,5
H	Standard distance from center of Diesel pile hammer up to the face of lead	in	12,6	12,6	13,4	14	14,2



Technical data		D25-32	D30-32	D36-32	D46-32
Impact weight (piston)	kg	2500	3000	3600	4600
Energy per blow	kNm	90-40	103-48	123-56	166-71
Number of blows	min <sup>-1</sup>	35-52	36-52	36-53	35-53
Suitable for driving piles (depending on soil and pile)	kg	1600-7500	2000-9000	2500-12000	3000-16000
<b>Consumption</b>					
Diesel oil	l/h	7,5	10	11,5	16
Lubricant	l/h	0,6	1	1,5	1,5
<b>Tank capacity</b>					
Diesel oil tank	l	67	67	89	89
Lube tank	l	19	19	17	17
Max. rope diameter for deflector sheave of tripping device	mm	22	22	38	38
<b>Weight</b>					
Tripping device	kg	186	186	450	450
Diesel pile hammer	kg	5670	6170	8200	9300
Max. inclined pile driving without / with extension		1:5 / 1:1	1:5 / 1:1	1:5 / 1:1	1:5 / 1:1

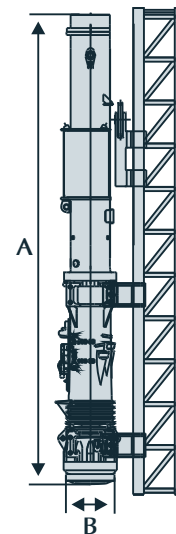
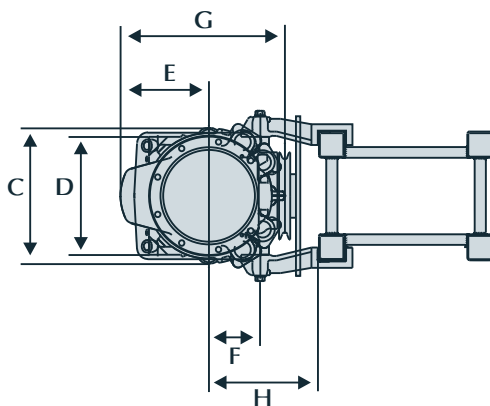
Dimensions						
A	Length of Diesel pile hammer without extension	mm	5500	5500	5470	5470
B	Outer diameter of impact block	mm	560	560	660	660
C	Width of Diesel pile hammer	mm	670	670	800	800
D	Width for connection of guide jaws	mm	540	540	640	640
E	Center of hammer to pump guard	mm	405	405	445	445
F	Center of hammer to center of threads for guide jaw bolts	mm	235	235	275	275
G	Depth of Diesel pile hammer	mm	780	780	950	950
H	Standard distance from center of Diesel pile hammer up to the face of lead	mm	435	435	500	500



Technical data		D25-32	D30-32	D36-32	D46-32
Impact weight (piston)	lbs	5510	6610	7940	10140
Energy per blow, max.	ft-lbs	66380	75970	90720	122435
Energy per blow, min.	ft-lbs	29500	35400	41300	52370
Number of blows	min <sup>-1</sup>	35-52	36-52	36-53	35-53
Suitable for driving piles (depending on soil and pile)	lbs	3530-16535	4410-19840	5510-26455	6610-35270
<b>Consumption</b>					
Diesel oil	gal/h	1,65	2,2	2,53	3,52
Lubricant	gal/h	0,13	0,22	0,33	0,33
<b>Tank capacity</b>					
Diesel oil tank	gal	17,7	17,7	23,5	23,5
Lube tank	gal	5	5	4,5	4,5
Max. rope diameter for deflector sheave of tripping device	in	0,87	0,87	1,5	1,5
<b>Weight</b>					
Tripping device	lbs	410	410	992	992
Diesel pile hammer	lbs	12500	13600	18060	20485
Max. inclined pile driving without / with extension		1:5 / 1:1	1:5 / 1:1	1:5 / 1:1	1:5 / 1:1

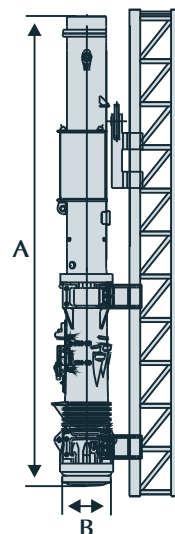
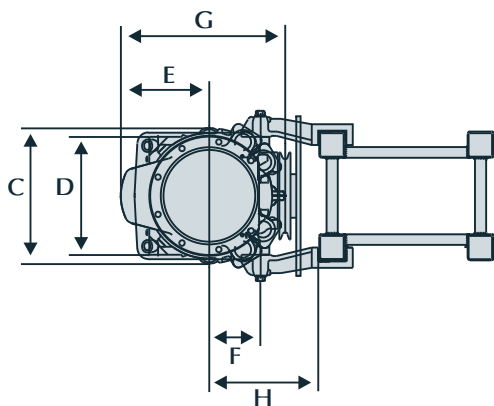
### Dimensions

A	Length of Diesel pile hammer without extension	in	216,5	216,5	215,4	215,4
B	Outer diameter of impact block	in	22	22	26	26
C	Width of Diesel pile hammer	in	26,4	26,4	31,4	31,4
D	Width for connection of guide jaws	in	21,3	21,3	25,2	25,2
E	Center of hammer to pump guard	in	16	16	17,5	17,5
F	Center of hammer to center of threads for guide jaw bolts	in	9,3	9,3	10,8	10,8
G	Depth of Diesel pile hammer	in	30,7	30,7	37,4	37,4
H	Standard distance from center of Diesel pile hammer up to the face of lead	in	17,1	17,1	19,7	19,7



Technical data		D62-22	D80-23	D100-13	D150-42	D200-42
Impact weight (piston)	kg	6200	8000	10000	15000	20000
Energy per blow	kNm	224-107	288-171	360-214	512-329	682-436
Number of blows	min <sup>-1</sup>	35-50	35-45	35-45	36-45	36-45
Suitable for driving piles (depending on soil and pile)	t	4-30	6-60	7-100	12-160	14-250
<b>Consumption</b>						
Diesel oil	l/h	20	25	30	50	60
Lubricant	l/h	2	2,6	2,6	4,8	5,8
<b>Tank capacity</b>						
Diesel oil tank	l	98	155	155	310	430
Lube tank	l	31,5	32	32	45	80
Max. rope diameter for deflector sheave of tripping device (* reeved twice)	mm	38	30*	30*	36*	36*
<b>Weight</b>						
Tripping device	kg	450	750	750	1850	1850
Diesel pile hammer	kg	12250	16905	20720	28450	51800
Max. inclined pile driving without / with extension		1:2 / 1:1	1:5 / 1:2	1:5 / 1:2	1:5 / 1:2	1:5 / 1:3

<b>Dimensions</b>							
A	Length of Diesel pile hammer without extension	mm	5910	7200	7358	7490	8175
B	Outer diameter of impact block	mm	710	820	820	990	1250
C	Width of Diesel pile hammer	mm	800	890	890	1280	1425
D	Width for connection of guide jaws	mm	560	800	800	1110	1425
E	Center of hammer to pump guard	mm	490	550	550	720	730
F	Center of hammer to center of threads for guide jaw bolts	mm	380	350	350	375	580
G	Depth of Diesel pile hammer	mm	970	1110	1110	1450	1890
H	Standard distance from center of Diesel pile hammer up to the face of lead	mm	500	660	660	900	1050



Technical data		D62-22	D80-23	D100-13	D150-42	D200-42
Impact weight (piston)	lbs	13640	17600	22000	33000	44000
Energy per blow, max.	ft-lbs	165215	212420	265520	377630	503036
Energy per blow, min.	ft-lbs	78920	126125	157840	242660	321580
Number of blows	min <sup>-1</sup>	35-50	35-45	35-45	36-45	36-45
Suitable for driving piles (depending on soil and pile)	US tons	4,4-33	6,6-66,1	7,7-110,2	13,2-176,4	15,4-275,6
<b>Consumption</b>						
Diesel oil	gal/h	4,4	5,5	6,6	11	13,2
Lubricant	gal/h	0,44	0,57	0,57	1	1,3
<b>Tank capacity</b>						
Diesel oil tank	gal	25,9	40,9	40,9	81,9	113,6
Lube tank	gal	8,3	8,5	8,5	11,9	21,1
Max. rope diameter for deflector sheave of tripping device (* reeved twice)						
	in	1,5	1,2*	1,2*	1,4*	1,4*
<b>Weight</b>						
Tripping device	lbs	992	1650	1650	4070	4070
Diesel pile hammer	lbs	26950	37190	45585	62590	113960
Max. inclined pile driving without / with extension						
		1:2 / 1:1	1:5 / 1:2	1:5 / 1:2	1:5 / 1:2	1:5 / 1:3

### Dimensions

A	Length of Diesel pile hammer without extension	in	232,7	283,7	289,9	294,9	322,1
B	Outer diameter of impact block	in	28	32,3	32,3	39	49,3
C	Width of Diesel pile hammer	in	31,5	35,1	35,1	50,4	56,2
D	Width for connection of guide jaws	in	22	31,5	31,5	43,7	56,2
E	Center of hammer to pump guard	in	19,3	21,7	21,7	28,4	28,8
F	Center of hammer to center of threads for guide jaw bolts	in	15	13,8	13,8	14,8	22,9
G	Depth of Diesel pile hammer	in	38,2	43,7	43,7	57,1	74,5
H	Standard distance from center of Diesel pile hammer up to the face of lead	in	19,7	26	26	35,5	41,4

